

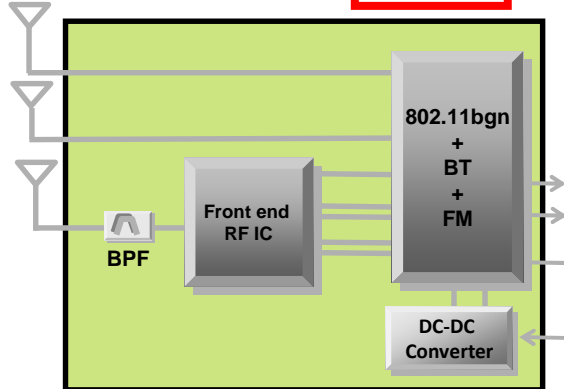


# Wireless Modules

## WLAN(n)+BT+FM MODULE

- 802.11b/g/n, BT ver. 2.1+EDR, FM(RX and TX)
- Interface : SDIO, SPI, UART, PCM, I2C, I2S, AUDIO
- VDD: 2.7V to 4.3V
- 9.2 X 8.4 X 1.35mm

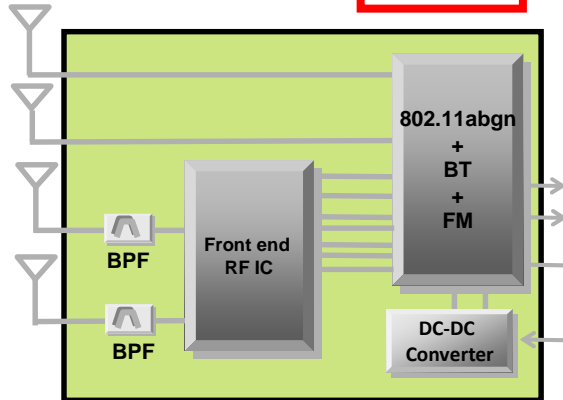
Type MM



## WLAN(n)+BT+FM MODULE

- 802.11a/b/g/n, BT ver.2.1+EDR, FM(TX and RX)
- Interface: SDIO, SPI, UART, PCM, I2C, AUDIO
- VDD: 2.7V to 4.2V
- 11.4 X 9.4 X 1.4mm

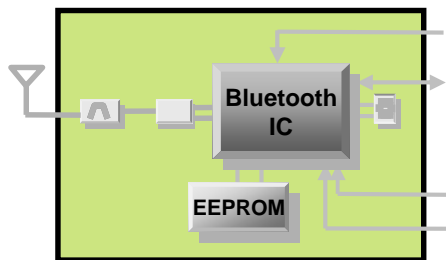
Type PF



## BLUETOOTH MODULE

- Bluetooth ver2.0+EDR compliant, Class 2
- Interface : USB, H4(UART), BCSP, H4DS, PCM
- VDD: 3.0V
- 6.65 X 6.15 X 1.5mm

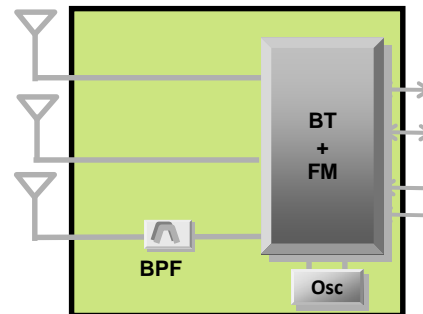
Type CS



## BT/BLE+FM MODULE

- BT ver. 2.1+EDR, FM(TX and RX)
- Interface : SPI, UART, PCM
- VDD: 1.7V to 4.8V
- 6.0 X 5.0 X 1.2mm

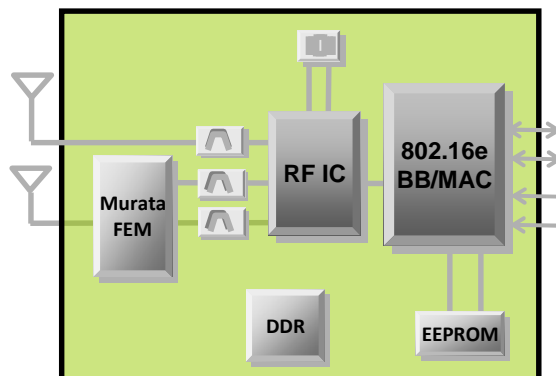
Type RG



## WIMAX MODULE

- 802.16e, optimized for Smartphone, VoIP, PDA
- Interface: SDIO, SPI, USB
- VDD: VBAT, 3.3V, 2.8V, 1.8V
- 14.4 X 17.0 X 1.68mm

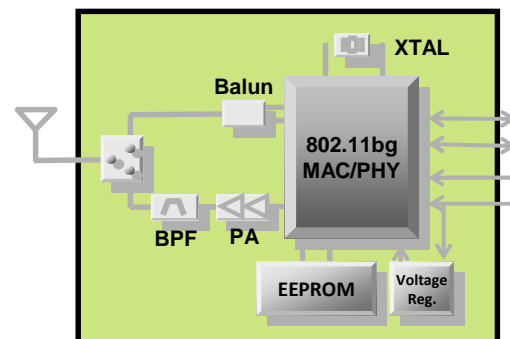
Type MK



## WLAN MODULE

- IEEE 802.11b/g Compliant
- Interface: SDIO, G-SPI
- VDD: 3.3V
- 8.2 X 8.4 X 1.3mm

Type EP



**muRata**

Innovator in Electronics

Note: Information subject to change without notice

Contact: [modules@murata.com](mailto:modules@murata.com)